

Model: DHM-800S

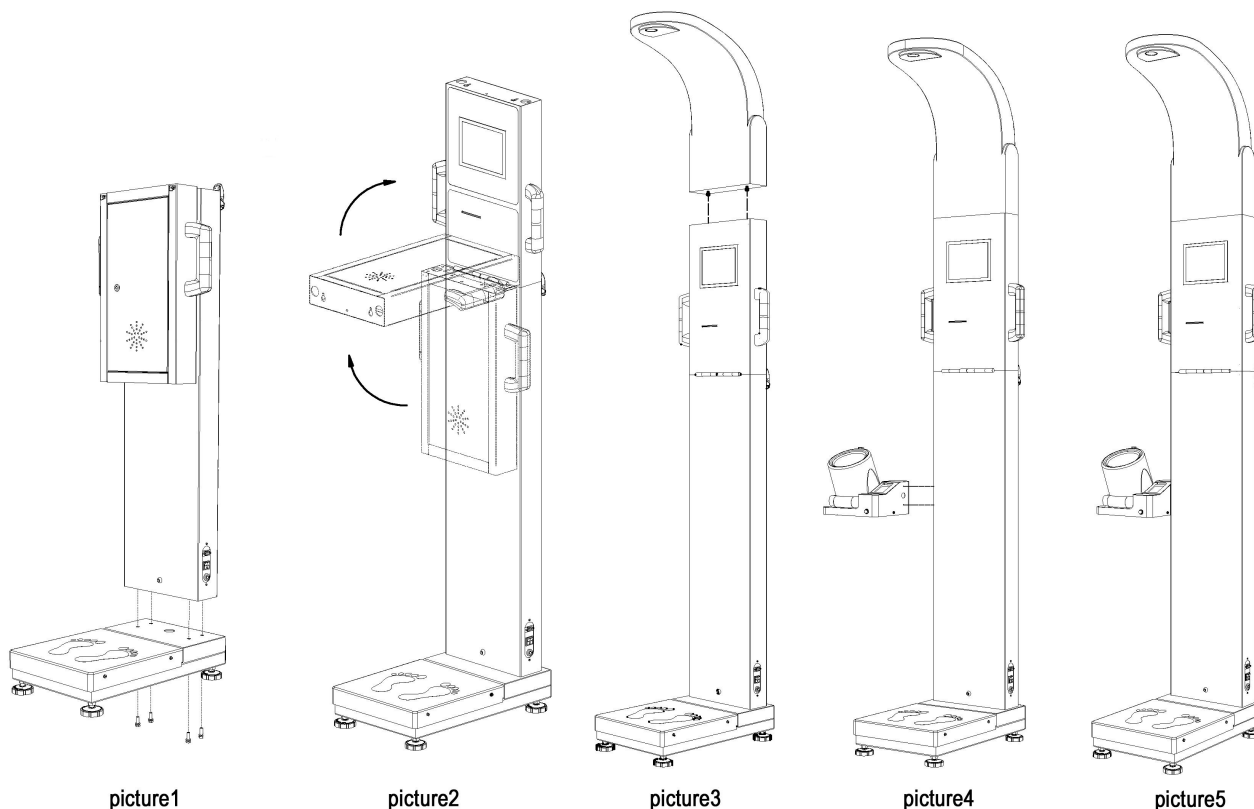
Ultrasonic Electronic Height and Weight Body Scale



USER MANUAL

Installation and Adjustment

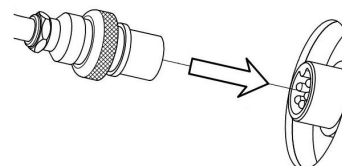
THANKS FOR USING OUR HEALTHCARE PRODUCTS



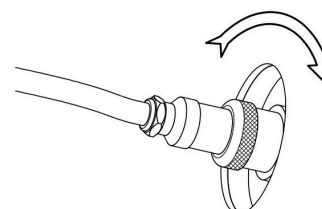
Installation Instruction:

- 1、 Open packing cartons and check all accessories :
Basement, Body machine (upper and lower body machine are connected by hinge), Blood pressure machine, Plastic foot, Instruction, and other accessories.
- 2、 As shown in picture 1, connect the machine with basement by M8 bolt, then plug and screw aviation plug of weight sensor into lower body machine (as shown in step 1).
- 3、 As shown in picture 2, turn the upper body machine into vertical position and fasten the lock catch between upper and lower body machine.
- 4、 As shown in picture 3, Connect the height accessories with upper body machine by fasten M5 screw and insert the plug of height probe into main board.
- 5、 If there is blood pressure machine , connect the blood pressure machine with lower machine(as shown in picture 4) and fasten 2 M4 screws from inside of the body machine. Then insert the cable and plug in to mainboard.

step1



step2



● Operation

Startup: Connect the power wire and switch on; the screen will display the information of beginning. The height screen will display 0122 which refers to the date. The weight screen will display 17:30 which refers to the time.

Attention: Make sure that the voltage of the power source is 12V and nothing on the saddle.

Measurement: the scale enters into the measurement state when puts in fixed number of coins. The scale begins to measure the height and weight after person standing on the saddle. After the measurement of height and weight, some sound will hint you. The results can be spoken out and printed.

Please pay attention when measuring:

First: Put the coin. After entering into the measuring state, if there is no measuring in 20 seconds (nothing on saddle), the scale will exit measuring state automatically.

Second: Measure height and weight. Standing stable and do not move or speak to get an accurate result.

Third: Measure blood pressure and pulse. After measuring height and weight, put right arm in the arm hole of the blood pressure meter, and then press the key on the left side of shell. The machine begins to measure. It takes a while to measure. During the process, please relax yourself and do not move or speak to get an accurate result. If it fails, press the key again and measure again. The entire measuring process finishes after the results showing on the screen.

Attention: If there is no blood pressure button in 30 seconds, or Press the button for 2 seconds, the machine will exit the measurement.

Fourth: Take the print ticket.

Pronunciation: It can speak out the measurement results automatically (also can be

set without pronunciation), under the state of waiting they can speak out welcome continuously. Please read the functional setting (function code 6) to get the method of setting volume and time interval of pronunciation “welcome”.

Print: It can print the measurement results and the total calculating figures.

Color lights control: Press **[ESC]** to turn on or turn off the color lights when the machine is not in the working condition (not measure or adjust).

Function setting and adjustment:

All functions are set and adjusted by keys on the main board(**[+]** **[-]** **[SEL]** **[ENT]** **[ESC]**). Please look at the diagram of the main board.

Menu Introduction: There are 12 items in the menu and you can enter into the main menu codes selection by pressing **[ENT]** under the state of waiting. (Range: 1-12)

Date adjustment:

Choose menu code **[1-01]** , press **[ENT]** to into the state of adjustment. Display **[0603]** in height screen and the setting display screen means the present date is Mar, 2006.

Flickering means they are under the state of adjustment.

Press **[+]** or **[-]**, the date will be adjusted to present date.

Press **[SEL]**, change the needed number of year, month, day and week continuously.

Press **[ENT]**, store and exit. Press **[ESC]** exit without store.

Time adjustment:

Choose menu code **[1-02]** , press **[ENT]** into the state of adjustment.

Display **[17:05]** in setting display screen means the present time. Flickering means they are under the state of adjustment.

Press **[+]** or **[-]**, the time will be adjusted to present time.

Press **[SEL]**, change the needed number of minutes and hours continuously.

Press **[ENT]**, store and exit. Press **[ESC]** exit without store.

Weight adjustment:

Choose menu code **1-03** , press **ENT** into the state of adjustment.

Display **500** in the height screen means the present corrected value is 500 (range: 1-999). Display **0.00** in weight screen means the present weight. Put something with confirmed weight on the saddle. After a stable weight display, press **+** or **-** to adjust the display data.

You can press **SEL** when it is required to measure again.

Press **ENT** store and exit. Press **ESC** exit without store.

After the adjustment, please see the corrected value, if it reaches the maximum figure, there may be something wrong with the scale.

Height adjustment:

Choose menu code **1-04** , press **ENT** into adjustment state.

Display **00.0** in the height screen means the present height. Display **120** in the weight screen means the present corrected value is 120(scale: -400-400). Put something with confirmed height on the saddle. After a stable height display, press **+** or **-** to adjust the display data.

You can press **SEL** when it is required to measure again.

Press **ENT** store and exit. Press **ESC** exit without store.

The division is 0.1cm. After the adjustment, please see the corrected value, if it reaches the maximum figure, there may be something wrong with the scale.

Pronunciation interval setting:

Choose menu code **1-05** , press **ENT** into adjustment state.

Display **4** in weight screen means the present parameter is 4 with a scope of 0-50. The display value 4 means the interval of pronouncing “welcome” is 20 seconds. The present value multiply 5 refer to the interval seconds of pronunciation “welcome”.

Press **+** or **-** adjust the present value into that of needed.

Press **ENT** , store the results and exit. Press **ESC** exit without being stored.

Pronunciation setting:

Choose menu code **1-06** , press **ENT** into adjustment state.

Display 1 in the weight screen is the present parameter(scope 0-1).Displaying 1 means speak out the results after measurement. 0 means scale will not pronounce.1 means the scale speaks out the results after measurement. Press **+** or **-**, to adjust the present value that of needed.

Press **ENT**, store and exit. Press **ESC** exit without store.

High value setting of bodily form index:

Choose menu code **1-07** , press **ENT** into adjustment state.

Display **25.0** in the weight screen means high value of bodily form index (range: 19.0-28.0).Flickering means under the state of adjustment. For instance, the normal height scope is 1.7 meter: high value of body index multiplies height value's square-low value of bodily form index multiply height value's square.

Press **+** or **-** adjust the display value into that of needed.

Press **ENT** , store results and exit. Press **ESC** exit without being stored.

Press **SEL**, enter into setting of body index.

Low value setting of bodily form index:

Choose menu code **1-08** , press **ENT** , into adjustment state.

Display **19.0** in the weight screen is the low value of bodily form index (scope: 15.0-22.0). Flickering means under a state of adjustment.

Press **+** or **-** adjust the present value into that of needed.

Press **ENT** , store results and exit. Press **ESC** exit without being stored.

Press **SEL**, enter into high value setting of bodily form index.

Print setting:

Choose menu code **1-09** , press **ENT** into adjustment state.

Display **5** in the weight screen is the present print parameter(scope:0-8).

Press **+** or **-** adjust the present value into that of needed.

Press **ENT** , store results and exit. Press **ESC** exit without being stored.

	Height Weihgt	BMI	Ideal weight	Normal weight range
0				
1	*	*		
2	*		*	
3	*	*	*	
4	*			*
5	*	*		*
6	*		*	*
7	*	*	*	*
8	*			

Coin setting:

Choose menu code **1-10** , press **ENT** into adjustment state.

Display **1** in the weight screen is the present coin machine parameter (scope: 0-10).0 means no need to put coin, 0 means set up the needed coin quantity.

Press **+** or **-** will adjust the present value into that of needed.

Press **ENT** , store results and exit. Press **ESC** exit without being stored.

Examine quantities of people being measured:

Choose menu code **1-11** , press **ENT** into examination state. Display **168** in the height screen means the total times of measurement is 168. With **18** in the weight screen is the part measurement numbers (the measuring amount between the former measure and the later examination.) range of total measuring quantity: 0-9999, return to 0 once beyond this scope.

Press **SEL** can print out total quantity of measurement (clear part measurement result) and date.

Press **ENT** , store results and exit. Press **ESC** exit without being stored.

Renew set of machine:

Choose menu code **1-12** , show **8888** on the screen.

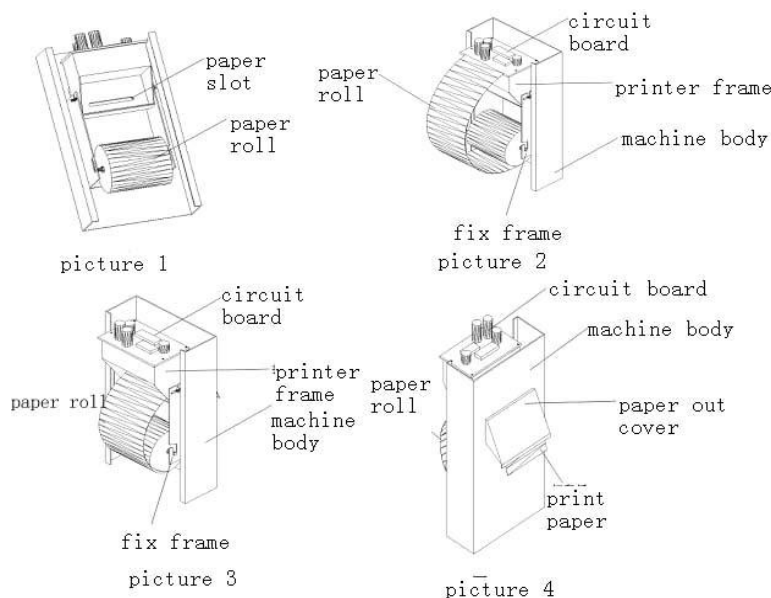
Press **ENT** to renew the set of machine.

Press **ESC** to exit.

Volume adjustment:

Direct rotation of the upper left corner of the circuit board

Changing print paper instruction:



First: Make the axis threads the printing paper and fix them on the frame (picture 1)

Second: Open the paper roll, tear the opening place and make sure the tearing place is flat and straight (picture 2)

Third: Put the paper in the paper slot; make sure the paper is stable during the process of putting paper. The paper can come into the printer automatically (picture 3)

Forth: After putting the paper, then try to print to see if the paper can come from the out cover smoothly. If the paper can't come out, then examine the printer to see if the paper was blocked in the printer.(picture 4)

The Settings of Coin Acceptor

1. Setting

- a) Turn on the machine
- b) Move the switch of “MGM, NOM, MAX” at the rear part of the coin acceptor to the position of “NOM”, and then move the switch of “set, start” to the position of “set”.
- c) Choose coins of different versions and degrees of wear, and then use these coins (both the front sides and the reverse sides) to try the coin acceptor, the coins will come out from the outlet at the bottom of the acceptor. If the acceptor produces a sound like “di”, it indicates the successful setting. This coin acceptor can remember as many as 45 kinds of coins.
- d) At the end please move the switch of “start, set” to the position of “start”.

2. Clearance

- a) Move the switch of “MGM, NOM, MAX” at the rear part of the coin acceptor to the position of “NOM”, and then move the switch of “start, set” to the position of “set”.
- b) Press the key of “clearance” (besides the label 145) on the side of the acceptor for 5 seconds, until you hear the sound like “di”, which indicates the original memory has been cleared. You’d better firstly clear the memory before resetting so that the acceptor can remember coins as many as possible.

3. Usage

Move the switch of “MGM, NOM, MAX” at the rear part of the coin acceptor to the position of “NOM”, and then move the switch of “start, set” to the position of “set”. Test the acceptor with coins which are settled in the acceptor’s memory. If the coin is false, the acceptor will spit it out automatically.

Attention: before leaving the factory, the coin acceptor has already been set by the manufacturer, so please do not adjust it at ease. If the coin acceptor makes a warning sound, firstly please cut off the power supply and then make checks as below: whether the switch of “start, set” is moved to the position of “start”; whether the wire of power supply is loosening, or the coin is stuck in the acceptor.